

Page No.

1

**Clutch Discs, Pressure Plates
and Bearings**

2

**Clutch Release Arm Kit and
Release Bearing Hubs**

**Clutch
Assemblies
and Related
Components**

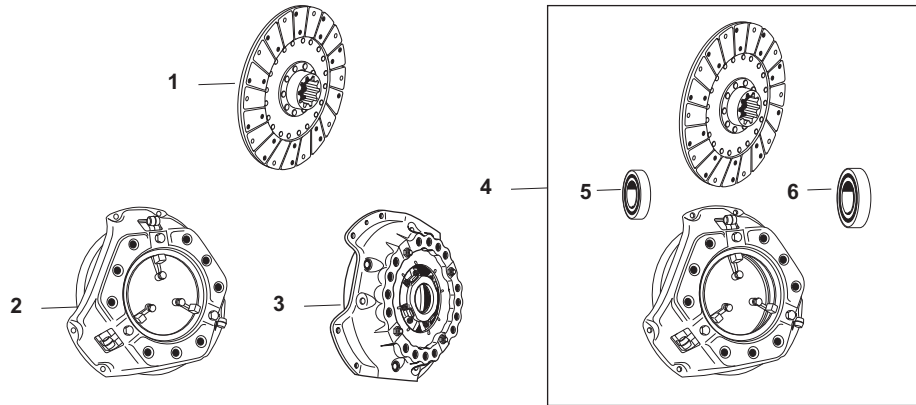
Please see Index for alternative O.E. part numbers.

These parts are Sparex parts and are not manufactured by the Original Equipment Manufacturer.
Original Equipment Manufacturers names, part numbers and descriptions are quoted for reference purposes only.

F4

Spare Parts for FORD Tractors Built 1939 to 1964

Clutch Discs, Pressure Plates and Bearings



All Clutches and Discs Shown are New, Not Rebuilt, Made in the U.S.A. No Core Charge!

SPAREX No.	DESCRIPTION	EQUIVALENT	TRACTOR MODEL
1	S.60693 9" Clutch Disc	91A7550	(9N, 2N, 8N, NAA, Jubilee, 600, 700, 800, 900 w/ 3 & 4 Speed Trans)
1	S.60924 10" Clutch Disc - 10 Spline	NCA7550A	(600, 700, 800, 900, 55-57 w/ 4 & 5 Speed Trans, Single Clutch)
1	S.60926 10" Clutch Disc - 15 Spline	NDA7550B	(601, 701, 801, 901, 2000, 4000, 58-64, w/ 4 & 5 Speed, Single Clutch)
1	S.19528 11" Clutch Disc - 1" - 15 Spline	F0NN7550CA	Dexta, Super Dexta
1	S.72736 11" Clutch Disc - 1 3/8" - 10 Spline	D8NN7550DA	Fordson Major, Power Major, Super Major
1	S.19537 13" Clutch Disc - 1 3/8" - 10 Spline	E1ADDN7550D	Fordson Major, Power Major, Super Major
2	S.60692 9" Pressure Plate	09A7563	(9N, 2N, 8N, NAA, Jubilee, 600, 700, 800, 900 w/ 3 & 4 Speed Trans)
2	S.60641 10" Pressure Plate	B8NN7563A	(600, 700, 800, 900, 601, 701, 801, 901, 2000, 4000 w/ 4 & 5 Speed, Single Clutch)
2	S.19511 11" Pressure Plate	957E7563B	Dexta, Super Dexta, Fordson Major, Power Major, Super Major
3	S.19523 13" Pressure Plate	E1ADDN7563B	(Super Major 60-64)
4	S.72750 9" Clutch Rep Set - 10 Spline • New Pressure Plate S.60692 • New Clutch Disc S.60693 • Release Bearing S.65334 • Pilot Bearing S.40734	09A7563 91A7550 C0NN7580A C5NN7600A	(9N, 2N, 8N, NAA, Jubilee, 600, 700, 800, 900, 39-57, Single Clutch)
4	S.72751 10" Clutch Rep Set - 10 Spline • New Pressure Plate S.60641 • New Clutch Disc S.60924 • Release Bearing S.65334 • Pilot Bearing S.40734	B8NN7563A NCA7550A C0NN7580A C5NN7600A	(600, 700, 800, 900, w/ 4 & 5 Speed Tractors, Single Clutch)
4	S.72752 10" Clutch Rep Set - 15 Spline • New Pressure Plate S.60641 • New Clutch Disc S.60926 • Release Bearing S.65334 • Pilot Bearing S.40734	B8NN7563A NDA7550B C0NN7580A C5NN7600A	(601, 701, 801, 901, 2000, 4000, 58-64, w/ 4 & 5 Speed Tractors, Single Clutch)
5	S.40734 Pilot Bearing	C5NN7600A	9N, 2N, 8N, NAA, Jubilee, 600, 700, 800, 900, 601, 701, 801, 901, 2000, 4000, Dexta, Super Dexta
5	S.72739 Pilot Bearing	E1ADKN7600A	Fordson Major, Power Major, Super Major
6	S.65334 Release Bearing (Single Clutch)	C0NN7580A	9N, 2N, 8N, NAA, Jubilee, 600, 700, 800, 900, 601, 701, 801, 901, 2000, 4000, Dexta, Super Dexta, Fordson Major, Power Major
6	S.40735 Release Bearing (Double Clutch)	NDA7580B	600, 700, 800, 900, 601, 701, 801, 901, 2000, 4000

Please see Index for alternative O.E. part numbers.

These parts are Sparex parts and are not manufactured by the Original Equipment Manufacturer. Original Equipment Manufacturer names, part numbers and descriptions are quoted for reference purposes only.



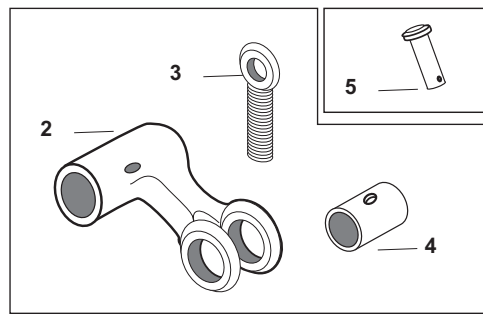
1 - A

CLUTCH DISCS, PRESSURE PLATES AND BEARINGS

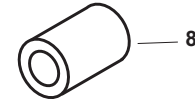
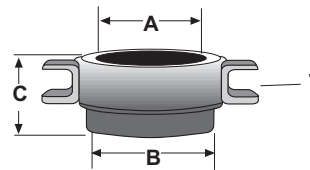
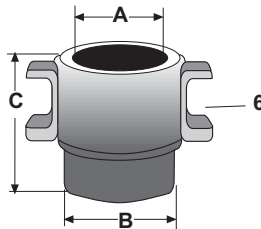
	<u>Sparex No.</u>	<u>Price</u>
1.	S.60693	\$56.58
1.	S.60924	\$49.57
1.	S.60926	\$67.33
1.	S.19528	\$107.67
1.	S.72736	\$126.03
1.	S.19537	\$207.73
2.	S.60692	\$88.73
2.	S.60641	\$88.73
2.	S.19511	\$532.78
3.	S.19523	\$507.92
4.	S.72750	\$180.33
4.	S.72751	\$194.17
4.	S.72752	\$193.45
5.	S.40734	\$3.90
5.	S.72739	\$5.83
6.	S.65334	\$38.75
6.	S.40735	\$27.50

WE ARE NOT RESPONSIBLE FOR MIS-PRINTS OR PRICE CHANGES

Clutch Release Arm Kit and Release Bearing Hubs



1



SPAREX No.	DESCRIPTION	EQUIVALENT	TRACTOR MODEL
1	S.66657 Clutch Release Arm Kit (Kit contains S.66654, S.66656, S.66655)		8N, NAA, 600, 700, 800, 900 (->58 w/ 4 Speed Transmission)
2	S.66654 Clutch Release Arm	8N7511B	Same as Above
3	S.66656 Eyebolt	355584S8	Same as Above
4	S.66655 Pin	8N7533	Same as Above
5	S.01468 Clevis Pin (3/8" x 1 5/16")		(S.66656 Eyebolt to Clutch Pedal)
6	S.61640 Release Bearing Hub (A=1.75", B=2.05", C=2.80")	311259	601, 701, 801, 901, 2000, 4000 (5 Speed Trans w/ Single Clutch SN 14256->)
7	S.60599 Release Bearing Hub (A=2.10", B=2.48", C=1.91")	311260	601, 701, 801, 901, 2000, 4000 (w/ Double Clutch SN 14256->)
8	S.03705 Clutch Shaft Bushing	407508A	9N, 2N, 8N, NAA, Jubilee, 600, 700, 800, 900, 601, 701, 801, 901, 2000, 4000 (3 or 4 Speed Trans Only)

Please see Index for alternative O.E. part numbers.

These parts are Sparex parts and are not manufactured by the Original Equipment Manufacturer.
Original Equipment Manufacturer names, part numbers and descriptions are quoted for reference purposes only.

2 - A

CLUTCH DISCS, PRESSURE PLATES AND BEARINGS

	<u>Sparex No.</u>	<u>Price</u>
1.	S.66657	\$58.45
2.	S.66654	\$42.47
3.	S.66656	\$11.02
4.	S.66655	\$9.15
5.	S.01468	\$1.00
6.	S.61640	\$34.10
7.	S.60599	\$39.43
8.	S.03705	\$6.83

WE ARE NOT RESPONSIBLE FOR MIS-PRINTS OR PRICE CHANGES